

PCN Data Collection

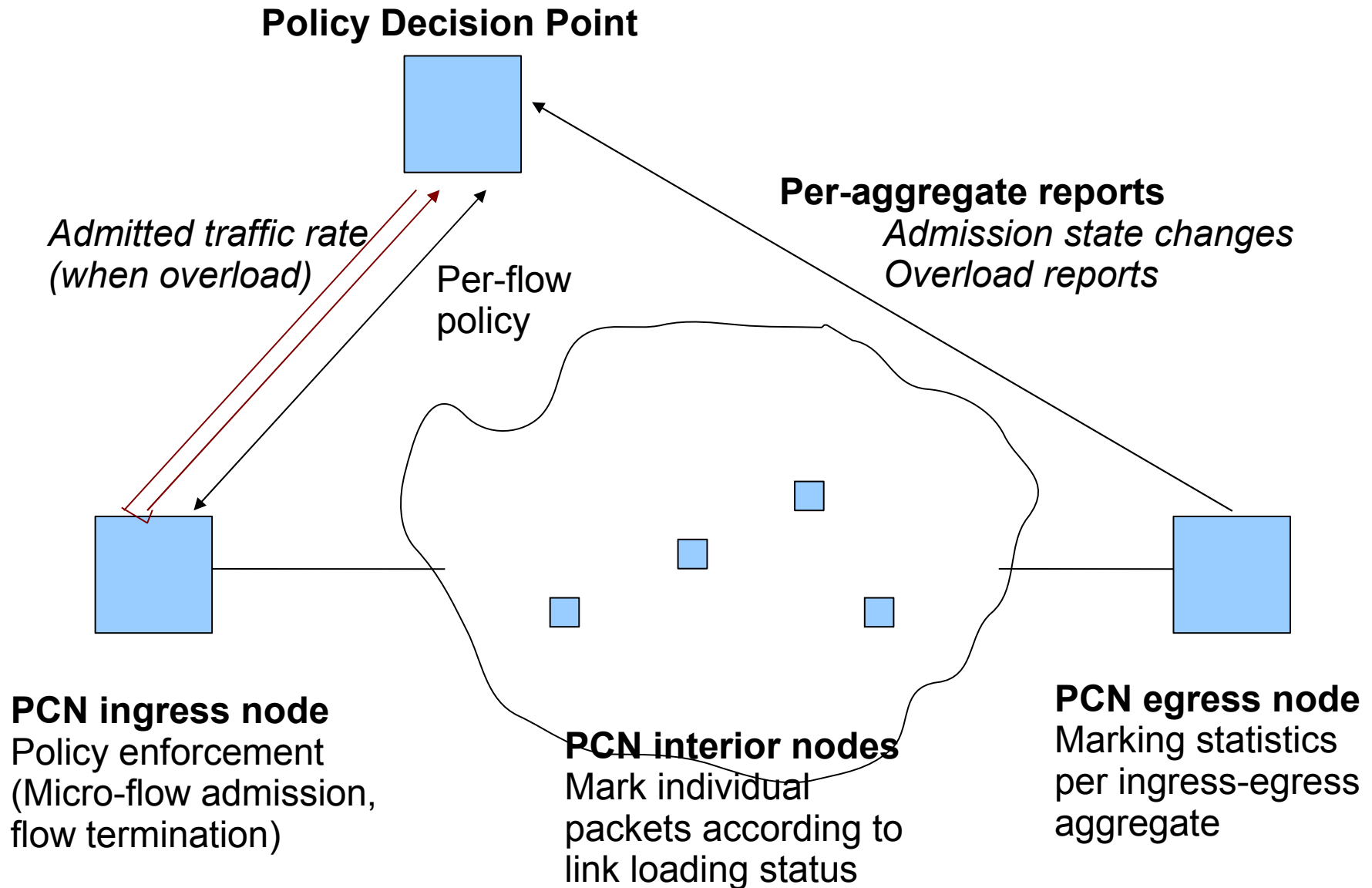
draft-huang-dime-pcn-collection-01

Fortune Huang: fqhuang@huawei.com

Glen Zorn: gwz@net-zen.net

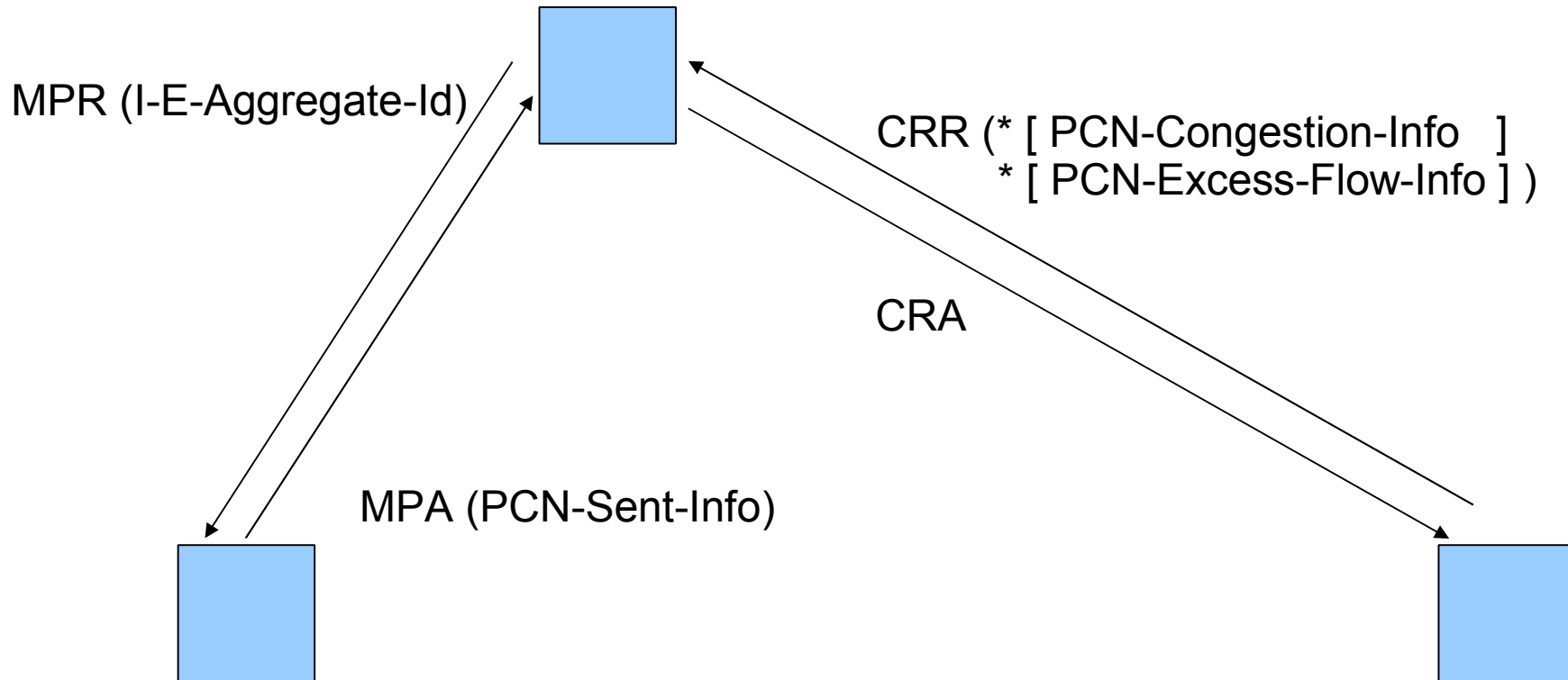
Tom Taylor: tom.taylor@rogers.com

PCN Application



PCN Data Collection Diameter Application

Note: PCN is still a moving target. Details of reports will change to match latest PCN edge behaviour drafts.



CRR = Congestion Report Request (new)
MPR = Measurement Poll Request (new)