

IETF-82

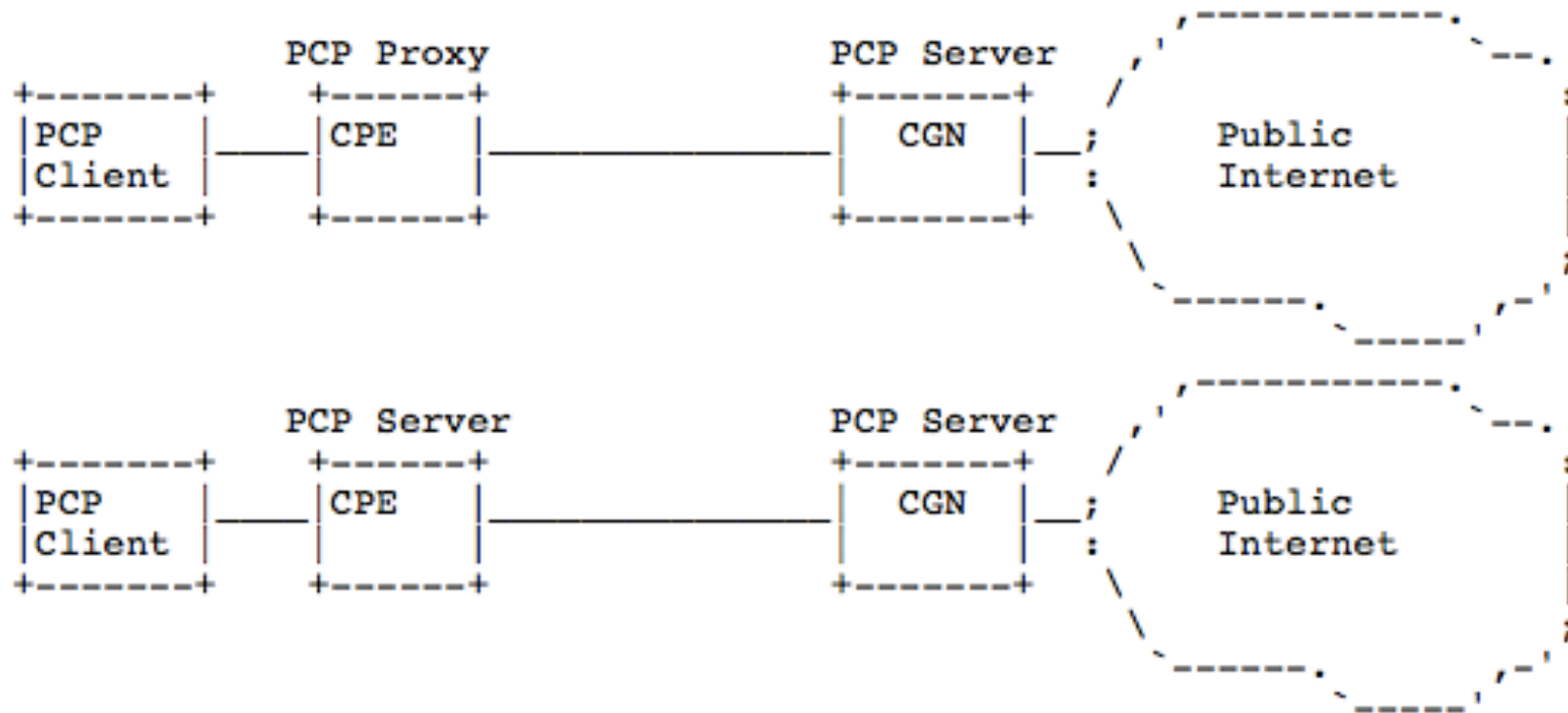
PCP and Nested NAT

Reinaldo Penno, Dan Wing, Paul
Selkirk, Mohamed Boucadair

Terminology and Scenarios

- Terminology
 - Nested NAT
 - PCP (un) aware NAT/SFW
- Scenarios
 - All NATs in path are PCP aware (Server or Proxies)
 - Not all NATs are PCP aware

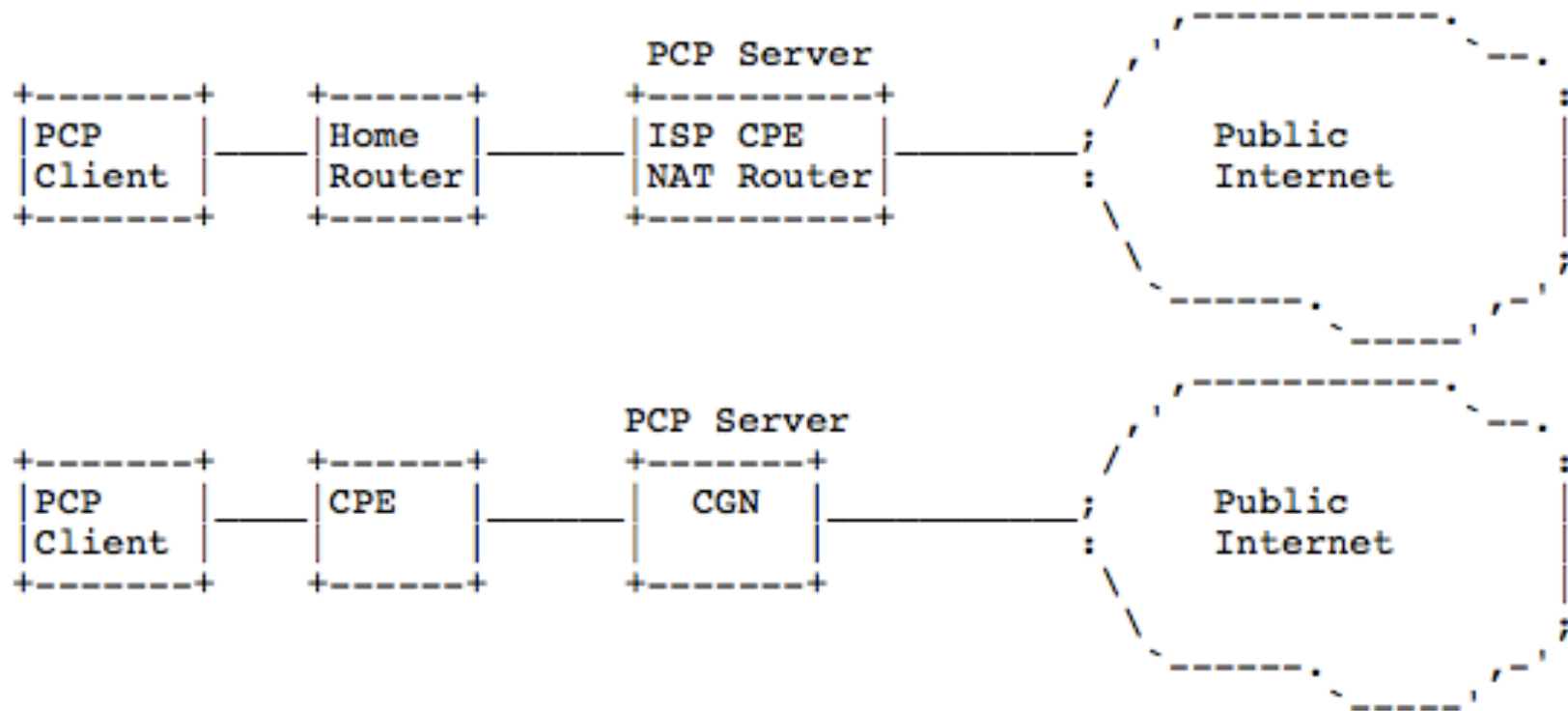
Nested + PCP Aware



Nested + PCP Aware NAT

- NATs in the chain implement a PCP Server or Proxy
- Open Questions
 - When installing mappings on multiple NAT devices, there is a choice similar to DNS iterative or recursive.
 - Discovery
 - Security

Nested + PCP unaware NAT



Nested + PCP unaware NAT

- Application developers will certainly face this scenario
 - ~\$3B in broadband CPEs annually.
- Open Questions:
 - A couple of variations: UPnP enabled/disabled, pass-through.
 - Security
 - Discovery

Final

- Should the WG work on nested NATs?