

Resource Management for Dynamic Service Chain Adaptation

proposed NFVRG, November 2014

draft-lee-nfvrg-resource-management-service-chain-00

S. Lee (ETRI) seungiklee@etri.re.kr

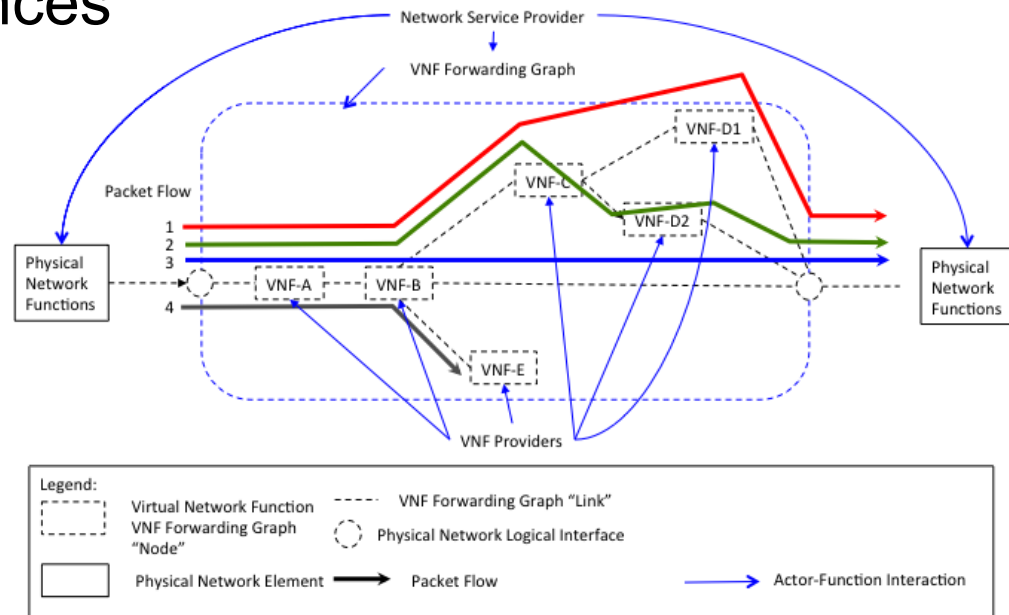
S. Pack (Korea Univ.) shpack@korea.ac.kr

M.-K. Shin (ETRI) mkshin@etri.re.kr

E. Paik (KT) eun.paik@kt.com

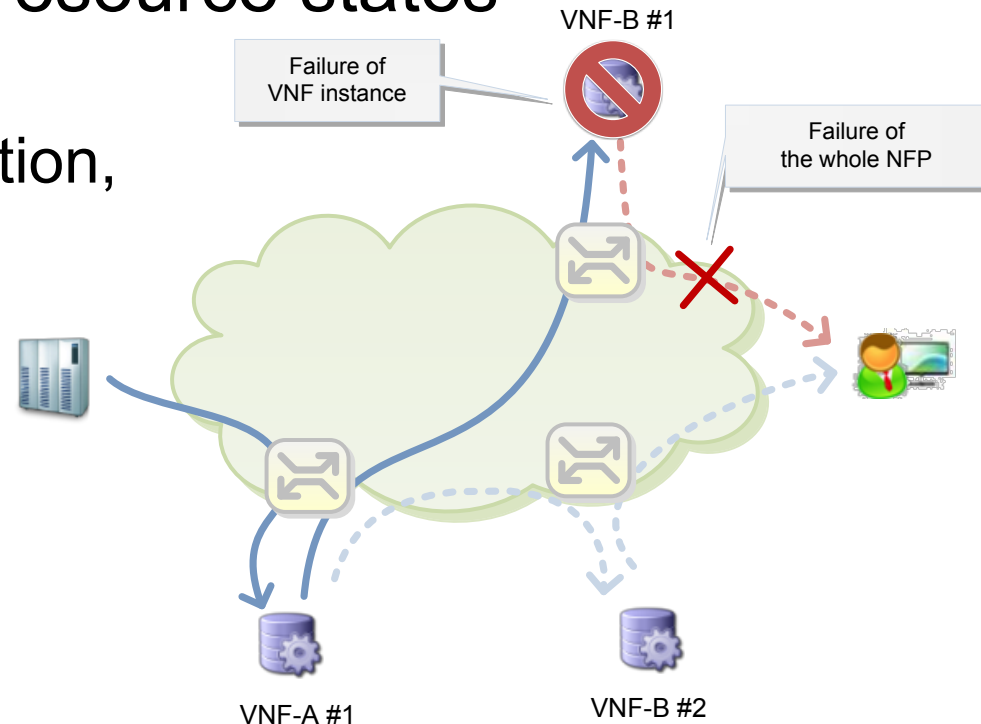
Background

- VNF forwarding graph (VNF-FG):
 - an ordered sequence of VNFs for composed services
- Network forwarding path (NFP):
 - an instance of VNF-FG
 - a chain of VNF instances



Background

- NFV resources composing NFP
 - VNF instance (VNF-I), virtual links (VL)
 - over NFVI-node (VM, compute, storage, ...)
- NFP depends on the resource states
 - Failure, performance, load, energy consumption, bandwidth, latency, ...



Problem Definition

- Goal
 - NFP needs to consider the state of NFV resources (VNF-I, VLS) at construction
 - NFP needs to adapt to the changes of the resource state dynamically
 - for optimization, fail-over, load balancing, ...

Use Cases

- Fail-over: reconstruct a NFP with replacing the failed VNF-I with new VNF-I selected
- End-to-end latency optimization: construct or maintain a NFP with low stretch considering the topological locations of VNF-Is and the properties of VLs
- Traffic optimization: construct or maintain NFPs to localize the traffic in the network considering load and administrative domains of VNF-Is and VLs.
- Load balancing: construct or maintain NFPs to distribute the load of shared VNF-Is
- Energy efficiency: construct or maintain NFPs to use the energy of VNF-Is efficiently

Target Actions

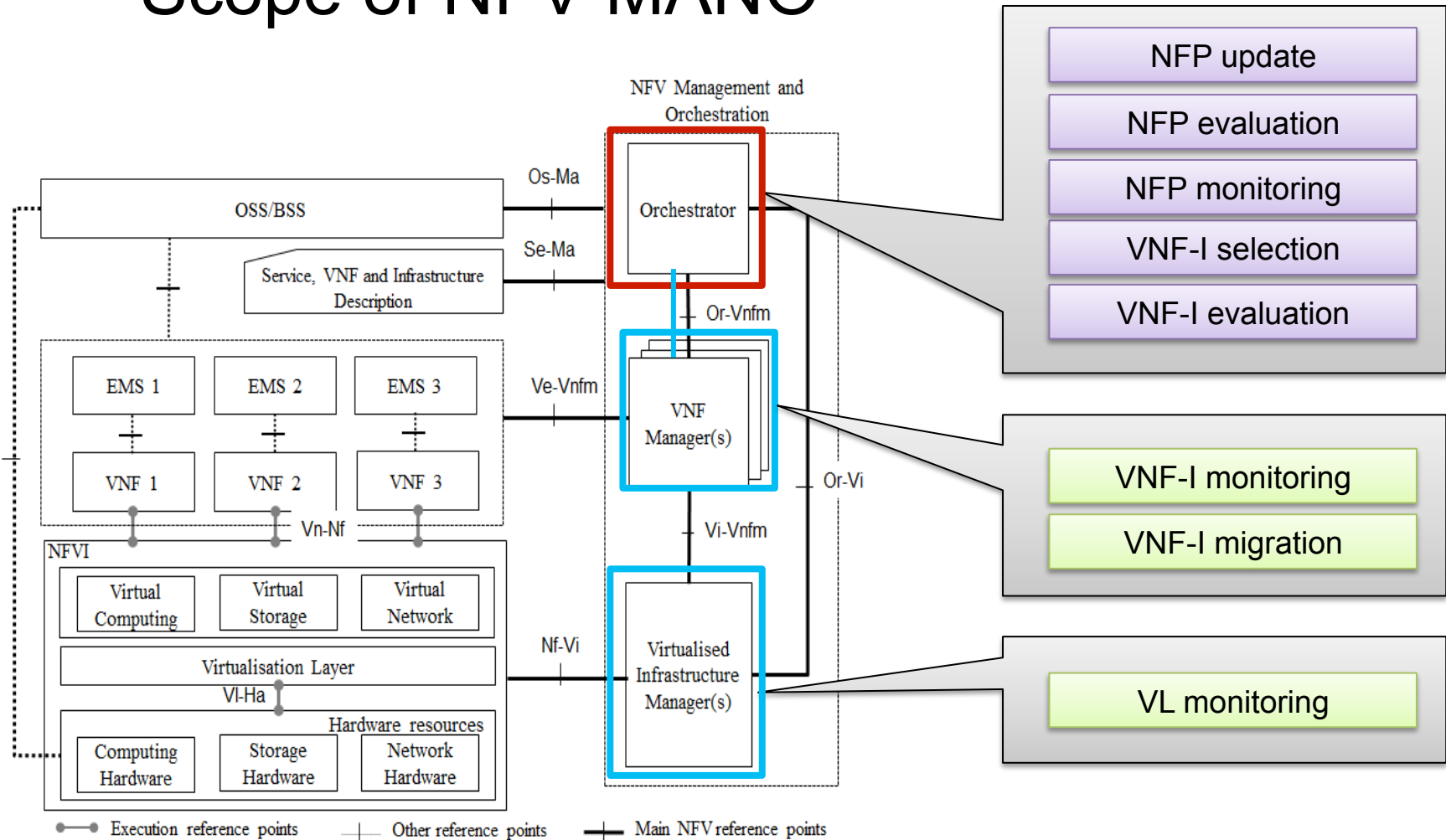
- Target actions
 - Select or evaluate VNF-Is and VLs to construct a NFP
 - Replace VNF-Is to update a NFP
 - Monitor attributes of VNF-Is and VLs
 - Migrate VNF-Is to different locations

Target Metrics

- Attributes of VNF instances
 - availability (failure)
 - topological location
 - workloads
 - throughput
 - energy consumption
- Attributes of virtual links
 - latency
 - bandwidth

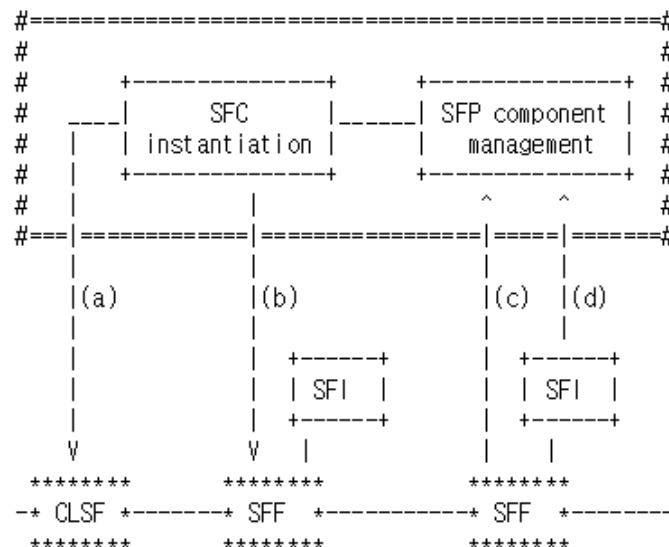
In the NFV Framework

- Scope of NFV MANO



SFC Applicability

- draft-lee-sfc-dynamic-instantiation-01
 - SFP enforcement for classification (a)
 - SFP enforcement for update (b)
 - Resource monitoring (c)



Further Works

- Applicability to SFC
 - well fits to SFC control plane: select and manage SFs statically or dynamically for SFC
 - but currently outside scope of the architecture
- Adaptation of VNF-FG
 - changes the network service adaptively to context (e.g., traffic pattern, network status)
 - add or remove VNFs of FG
 - e.g., add DPI at a doubtful pattern of traffic
 - vs. NFP adaptation: changes VNF instances along the VNF-FG
- Considerations of NFVI resources (e.g., NFVI-nodes)
- Redundant NFPs with state synchronization for resiliency
- Programmability of VNF-FG/NFP adaptation