

Radius Extension for Lightweight 4over6

draft-sun-softwire-lw4over6-radext-00

IETF 94 Nov 2014

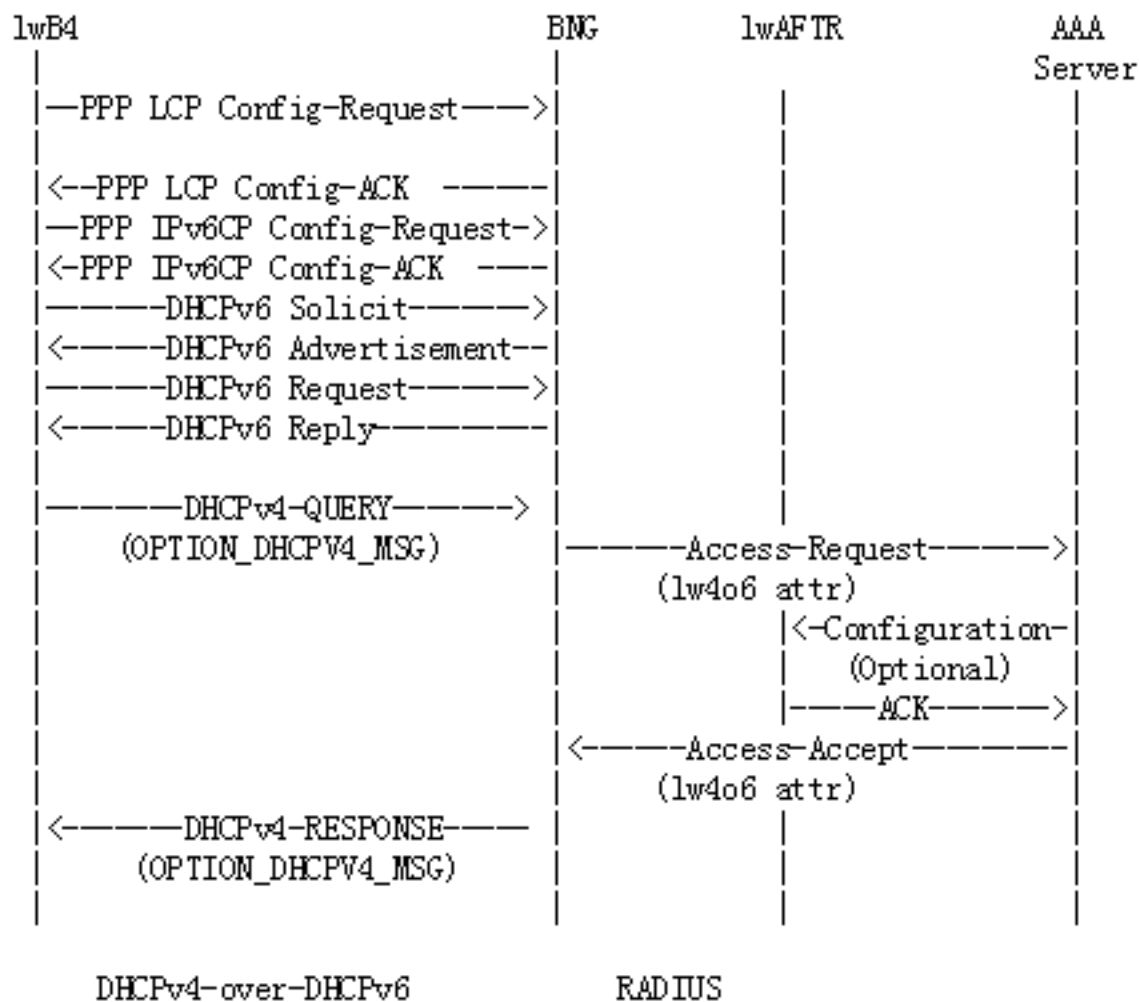
C.Xie, *Qiong Sun*, Qi Sun, C. Zhou
T. Tsou

Motivation

- Lw4over6 needs to provision per-subscriber binding state to lwB4.
- In many networks, user configuration information may be managed by AAA servers.
 - AAA server will maintain the IPv6 address, IPv4 address and port-set for subscribers.
 - lwB4: DHCPv4-over-DHCPv6 client
 - BNG: embed a DHCPv4-over-DHCPv6 server function, Radius client
 - AAA: per-configure subscriber's binding state and distribute to BNG

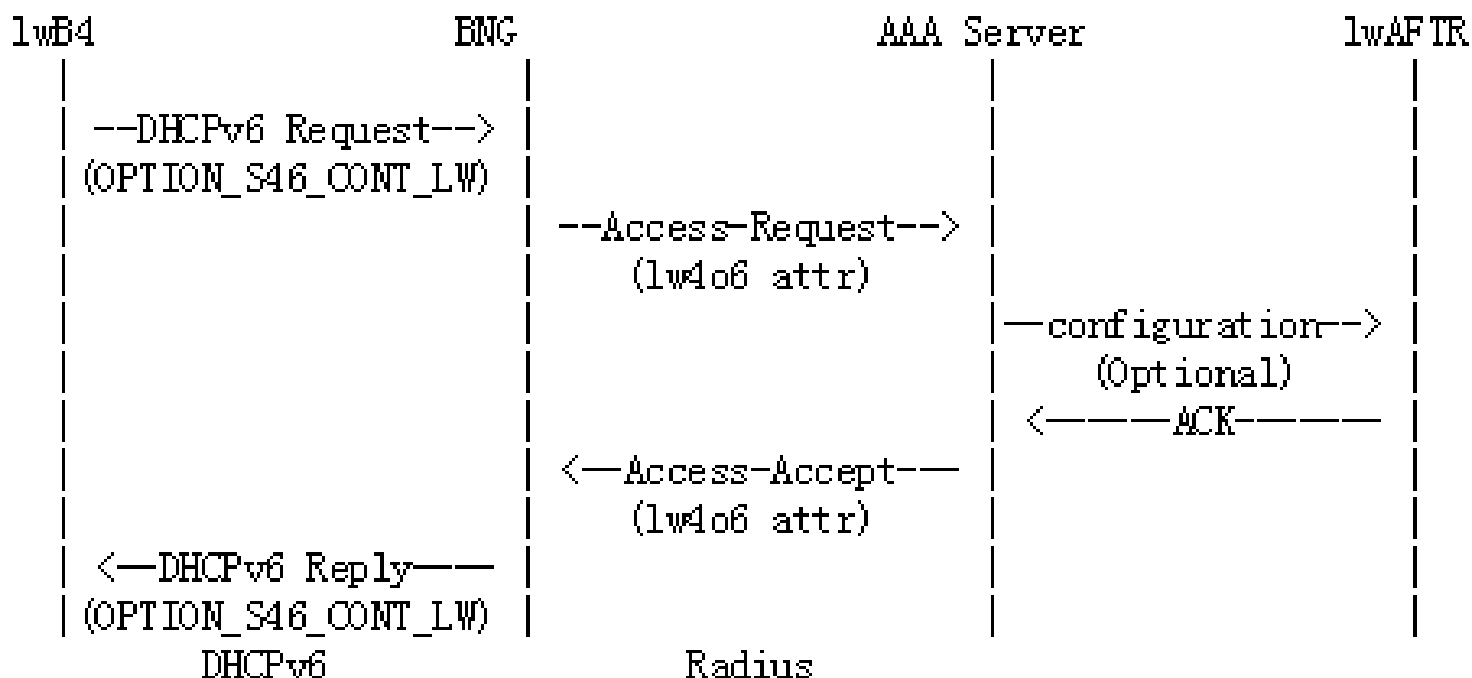
Lightweight 4over6 configuration process with RADIUS

Case 1: BNG act as DHCP4o6 server



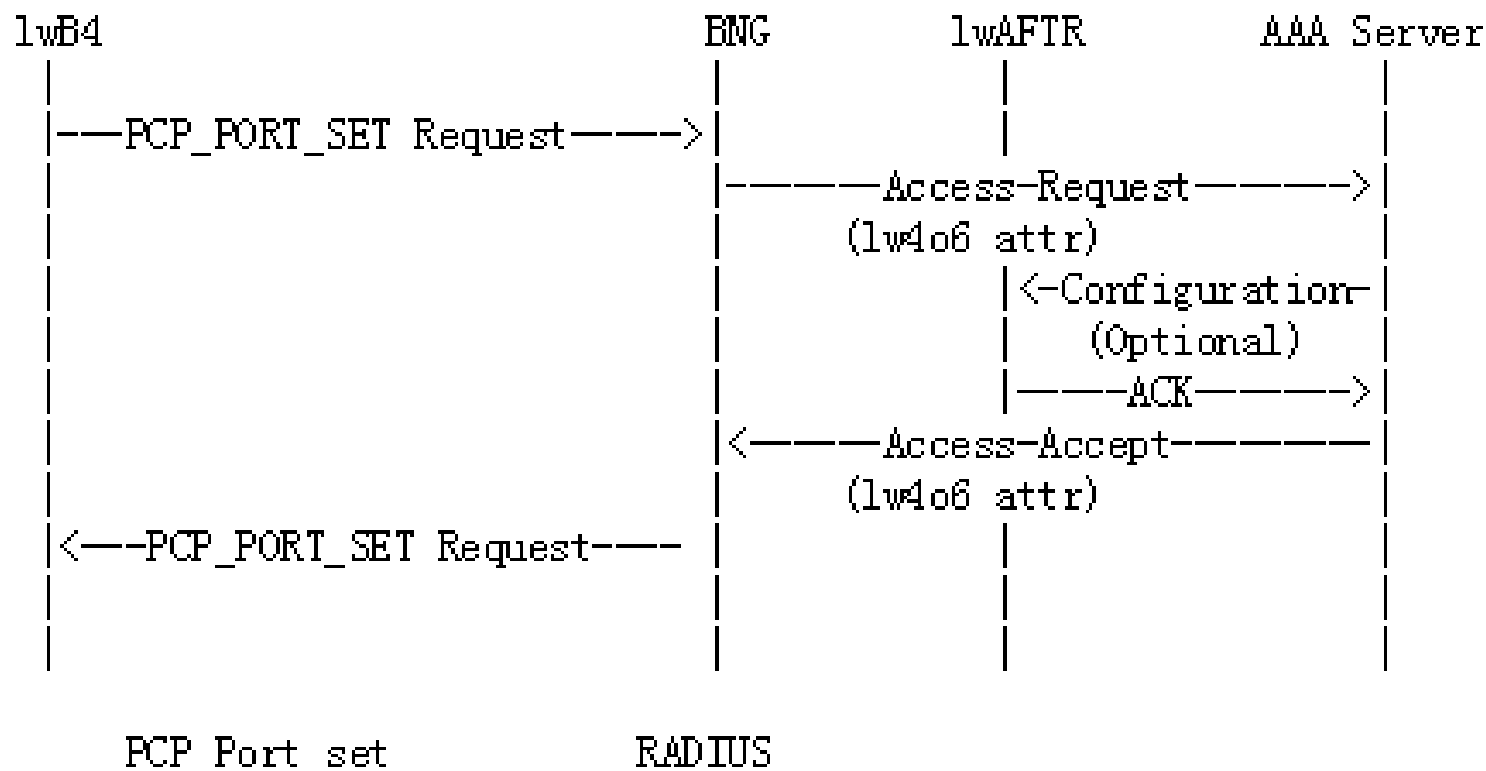
Lightweight 4over6 configuration process with RADIUS

Case 2: BNG act as DHCPv6 server

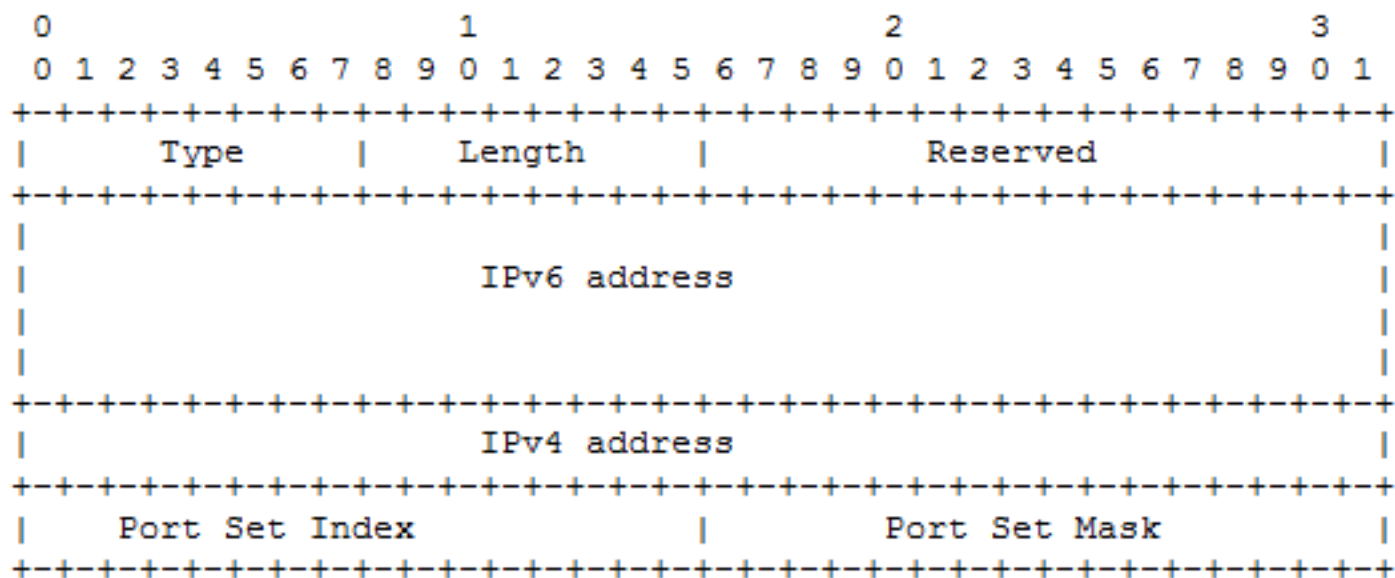


Lightweight 4over6 configuration process with RADIUS

Case 3: BNG act as PCP server



lw4o6_binding Attribute



Port-set format will be align with the final decision in the WG.

Next Step

- Comments?
- Adopt as WG document ?