

I2RS (interface to Routing System) - RIB Data Model Project

Champion: Susan Hares, Huawei

Where to get code



Github

- <https://github.com/i2rs-wg/hackathon-code>

What to pull down to set-up environment

- Qugga-1.0.201603155
- Cisco Taill-f Confd-basic-6.1
- Virtual environment
- Install and test basic set-up
- Yangcli-pro (yuma works)

Quagga additions

- i2rsd directory with install script for other file

Confd Documentation on I2rsd_confd

- /examples.conf/intro/i2rsd - directory
- READMEs
- Confd 0-README, 1-README, 2-RE:wADME, i2rsd_conf: 3=README-I2RS
- Main modules: i2rsd_conf, i2rs-rib.h, rib.h

I2rsd/ I2rsd_conf - design documentation

Confd Documentation:

- User manual (pdf/html)
- Yang 1.1

Quagga:

- README (main)
- ./2rsd/README-I2RSD
- ./i2rsd/README-Zebra

CLI tasks

- Load ietf-i2rs-rib into yangcli-pro
- Load ietf-i2rs-rib into confd
- Load client tools (CLI, Gui, xmltool) to read/write I2RS rib agent in Confd

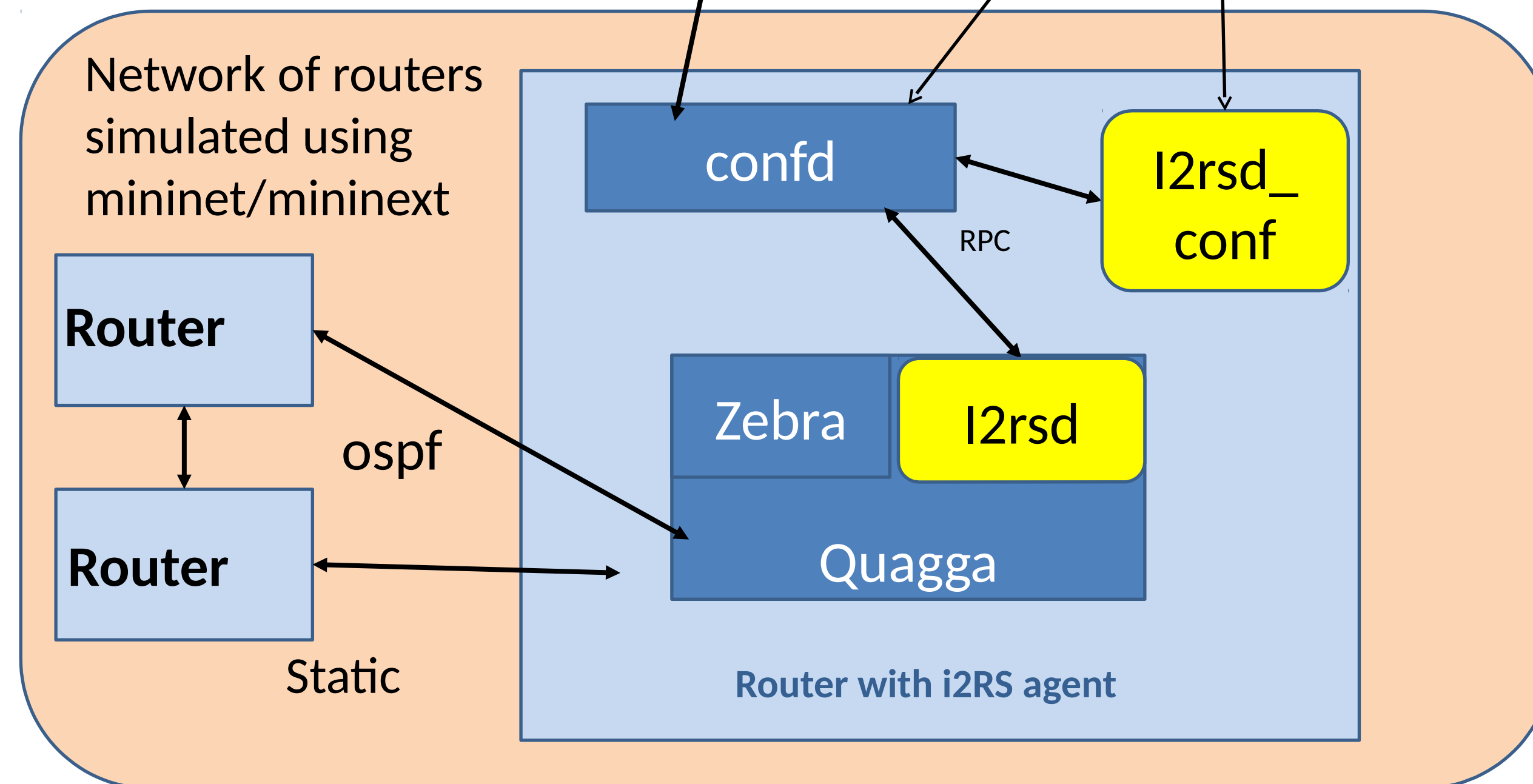
Application ideas

- Give us ideas how to use I2RS RIB for Static routes, BGP, Filters, and other protocols
- What would you like to see done.

Gated Build tasks

- Get I2RSD build work
- Get quick install over overlay files

Local static + I2RS Ephemeral



Leaders:

- Don Fedyk
- Edwin Cordiero
- Fabio Zaccante

Virtual environment Tasks (Don, Edwin)

- Port quagga-1.0.201603155 + i2rsd directory (i2rs not active) to VM
- Port confd-basic-6.1
- Use examples in 1-2-3-start-query-model to install system
- Port Quagga to ONS
- Port Quagga to ODL systems

Confd - Debugging

- Help debug basic read
- Help debug route status response

Confd - Additions

- Add RPC/Notification handlers
- Add RPC for RIB (add/delete)
- Add RPC for Route (add/delete)
- Add RPC for nexthop (Add/delete)
- Add RPC for route Modify
- Add RPC for nexthop Modify
- Add Notifications
- Change fprintf to I2RS logging

Project Goals For IETF 96

- Write/Read I2RS RIB
- RPCs
- Applications

Volunteer Signup

Name	Tasks	Day
1.		
2.		
3.		
4.		
5.		
6.		
7.		
8.		
9.		
10.		
11.		
12.		
13.		
14.		
15.		
16.		
17.		