

# draft-ietf-i2nsf-framework-04

November 2016

Diego Lopez ([diego.r.lopez@telefonica.com](mailto:diego.r.lopez@telefonica.com))

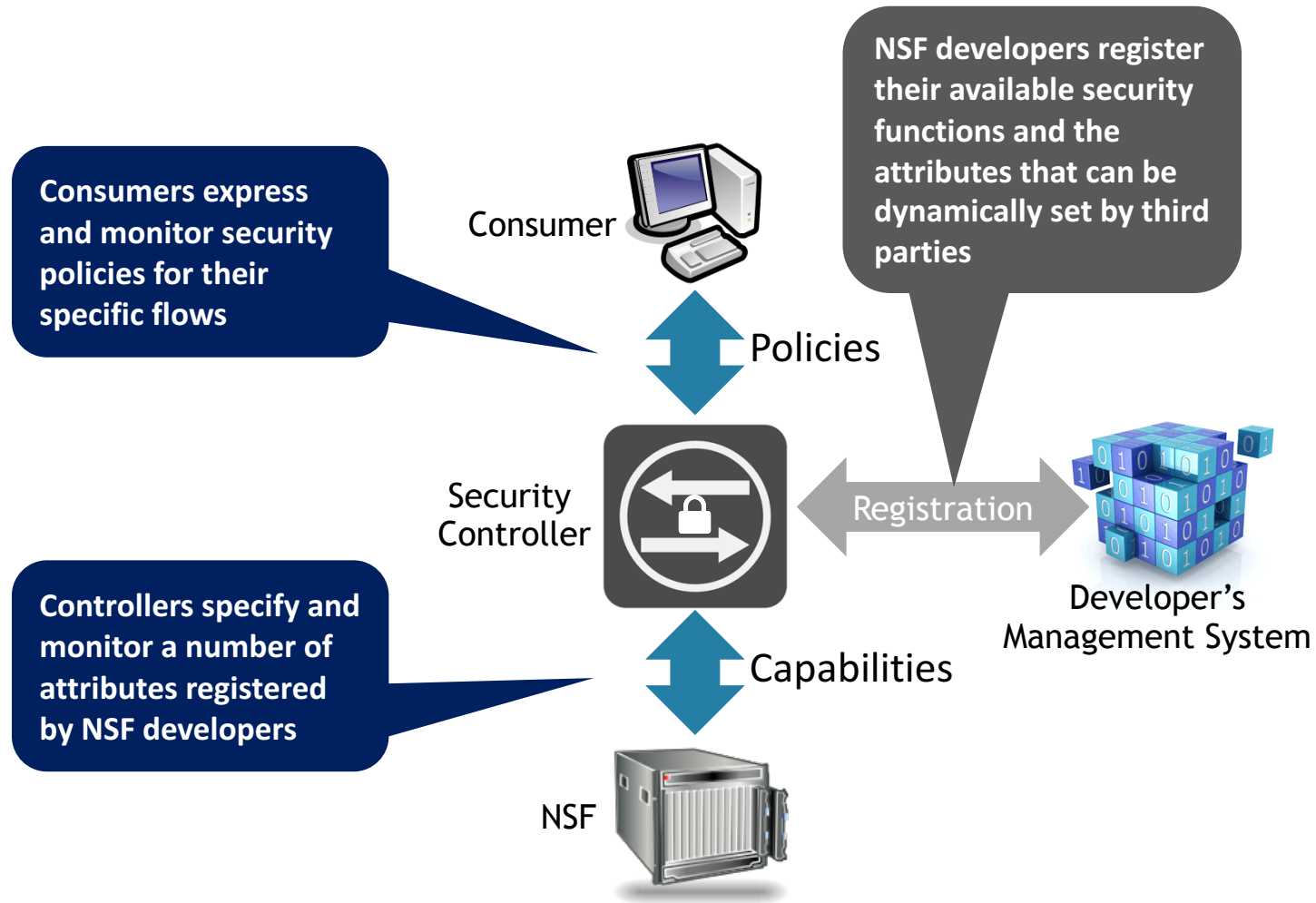
Edward Lopez ([elopez@fortinet.com](mailto:elopez@fortinet.com))

Linda Dunbar ([linda.dunbar@huawei.com](mailto:linda.dunbar@huawei.com))

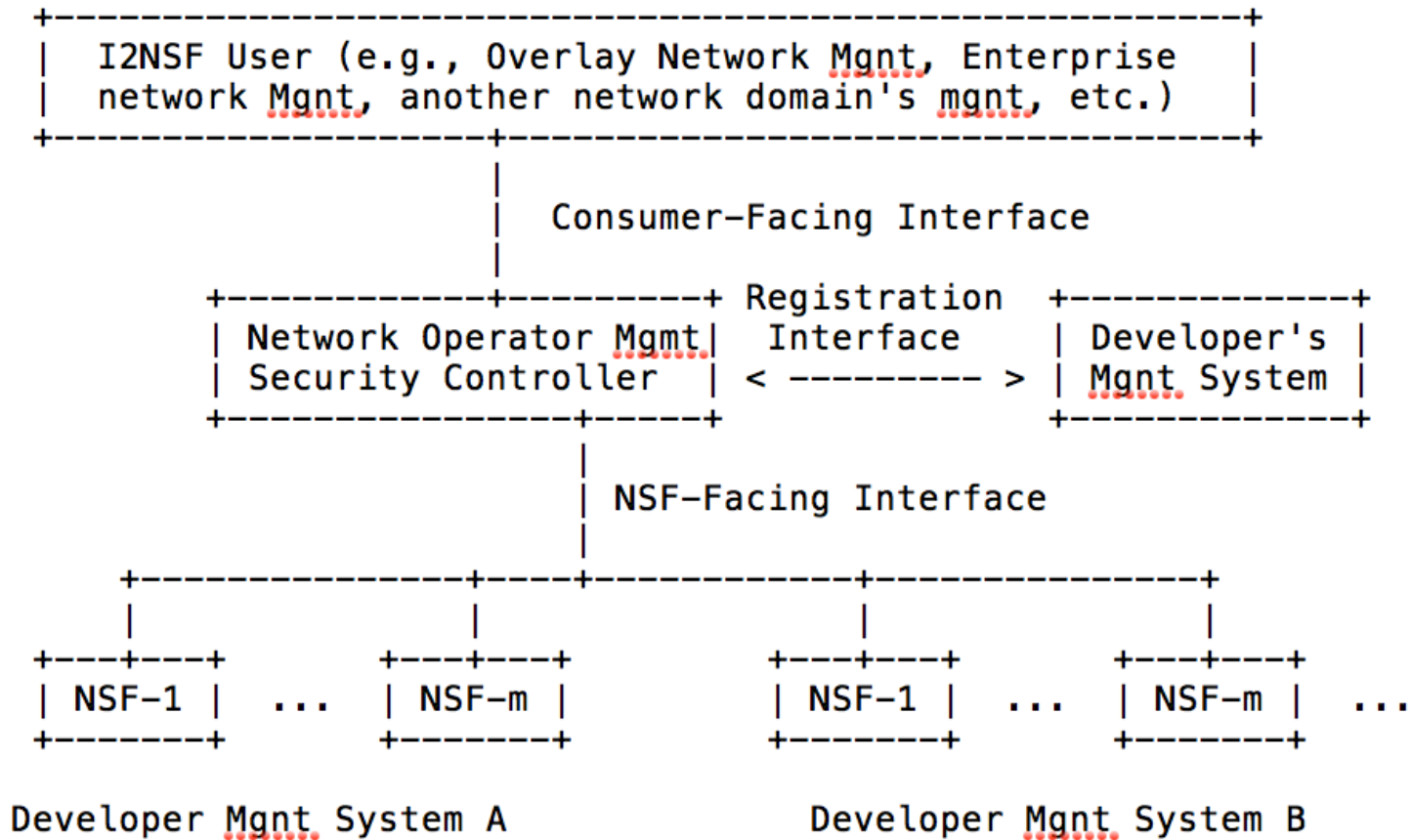
John Strassner ([John.sc.Strassner@huawei.com](mailto:John.sc.Strassner@huawei.com))

Rakesh Kumar ([rkkumar@juniper.net](mailto:rkkumar@juniper.net))

# Major Components of I2NSF



# Major Components as Shown in the Draft



# Changes in This Version

- Align draft structure, text and diagrams with latest agreements on terminology
  - Interface naming
  - Acronyms and definitions
  - The ‘developer’ vs ‘vendor’ issue not completely solved
- Consensus on attestation requirements and mutual authentication
  - Relaxing the original requirements
  - AAA matters out of scope
  - Some other aspects of the attestation draft could be incorporated
- Better alignment of vNSF considerations
  - No more “sub-controllers” but a matter of internal NSF implementation
- Comments received on the list
  - Gabi...
- Updated text flow
  - According to XML2RFC most recent version
  - References
  - Some pruning and grafting may be still needed
- Trimmed list of authors
  - According to the usual RFC practices
  - Contributors acknowledged

# What Comes After

- Decide what to do
  - Incorporation of parts from drafts on gap analysis, attestation, requirements...
  - In agreement with the WG publication plan
- Pruning and grafting
  - Other potential sources in some of the existing drafts
  - The issue on 'developer' and 'vendor'
  - And a (final) assessment on the structure
    - Would we require some fresh eyes?
- Go for WG last call
  - Shall we stay informational?