

draft-ietf-i2nsf-framework

March 2017

Diego Lopez (diego.r.lopez@telefonica.com)

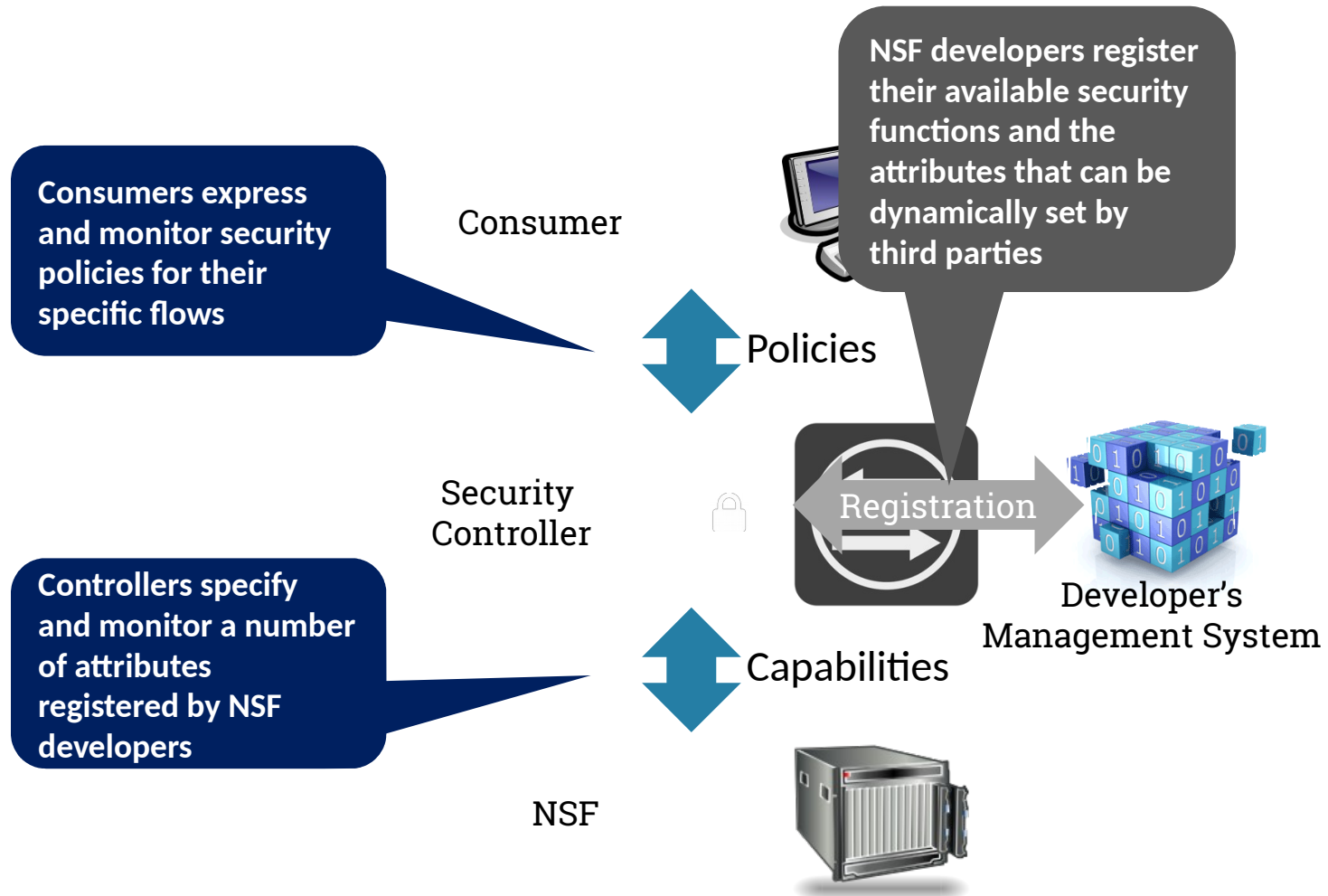
Edward Lopez (elopez@fortinet.com)

Linda Dunbar (linda.dunbar@huawei.com)

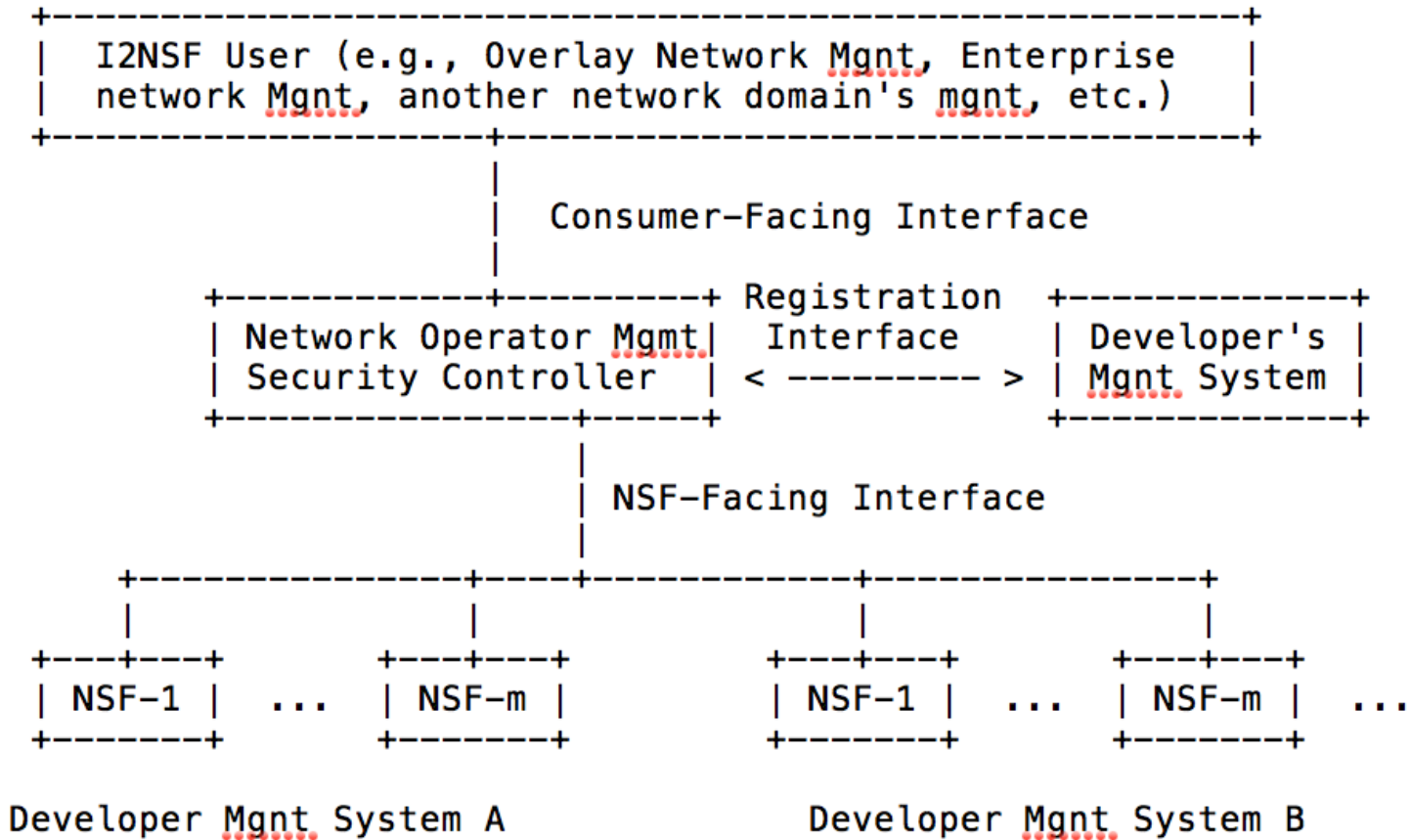
John Strassner (John.sc.Strassner@huawei.com)

Rakesh Kumar (rkkumar@juniper.net)

Major Components of I2NSF



Major Components as Shown in the Draft



What Comes After

- Pruning and grafting
 - The issue on 'developer' and 'vendor'
 - Align with terminology
 - No big issues, anyway
- Ready for WG last call
 - Just an open question: Shall we stay informational?