

VXLAN GPE Extension for Packets Exchange Between Control and User Plane of vBNG

Lu Huang, China Mobile

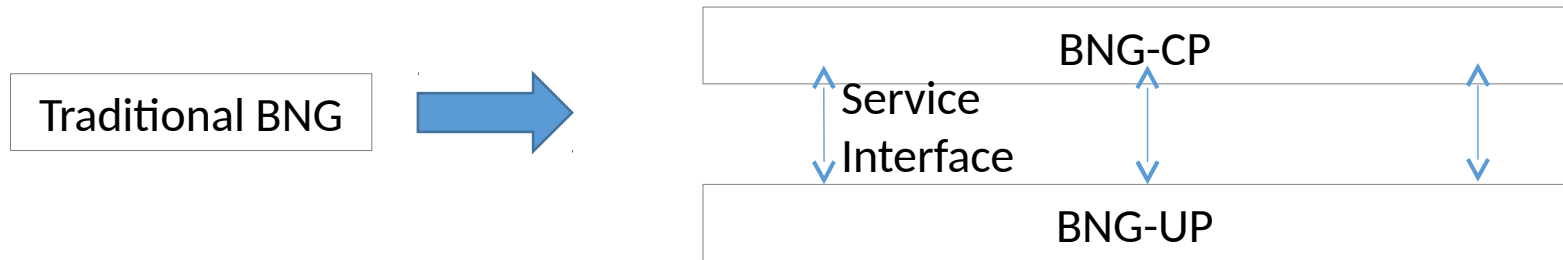
Shujun Hu, China Mobile

Michael Wang, Huawei

Ting Ao, ZTE

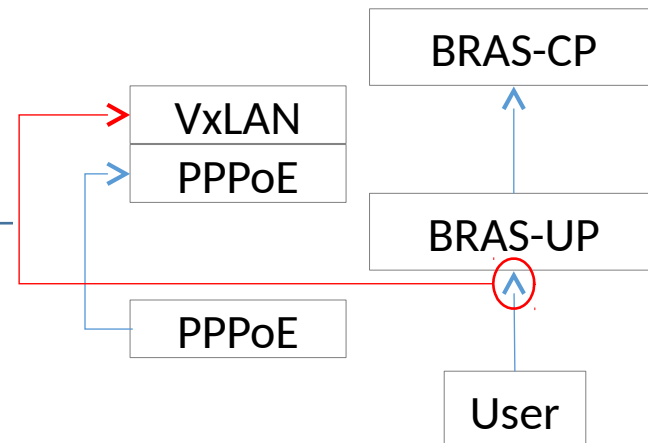
Problem to be addressed

- For China Mobile's metro network evolution, we choose to separate control plane and user plane of the traditional BNG (Broadband Network Gateway, or called BRAS, Broadband Remote Access Server)



- Between BNG-CP and UP, service interface is used to transmit PPPoE/IPOE authentication packets from UP to CP. We prefer to use VxLAN to encapsulate user's packets. Furthermore, user's port information on BNG-UP should be reported to BRAS-CP

No standard way for carrying port information in VxLAN header

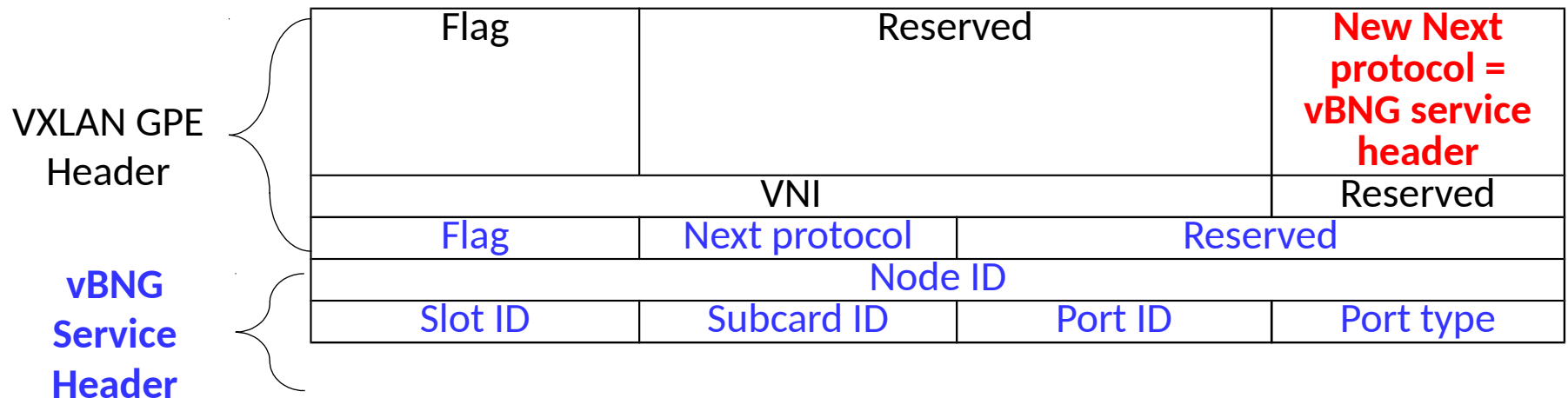


Port information includes:

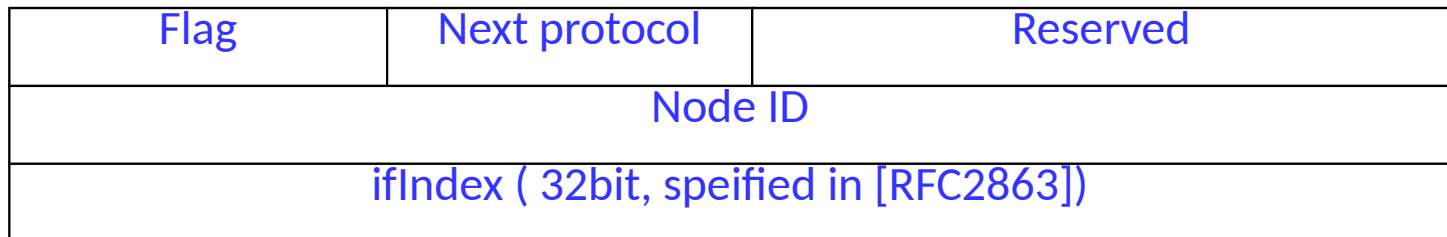
- device ID, slot ID, subcard ID, port ID

Proposed solution

- Extend VxLAN-GPE header to meet the requirement because it seems leverage the flexibility and complexity.

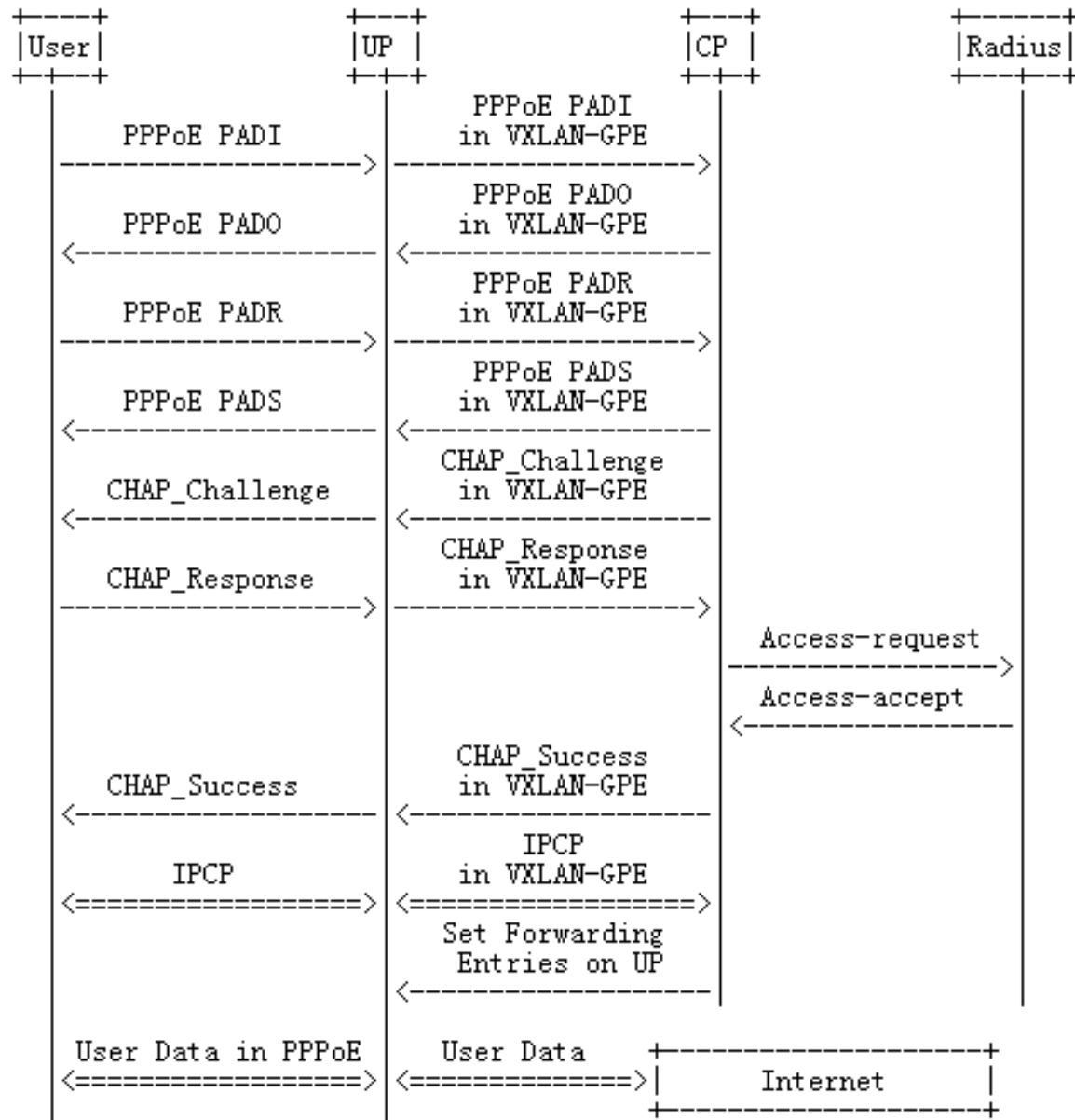


- An optional format for port information



- It's a standard way to indicate a port/interface. But it can't explicitly show the port's location. CP should maintain a mapping table between ifIndex and physical port exactly same as UP. Should define a way to generate this table, UP or CP make the decision? It's relatively more complex than the explicit way

Example of PPPoE dialup process



Next Steps

- Welcome your comments and suggestions
- Request for WG adoption

Thanks